

MatrikonOPC UA Embedded Server SDK Evaluation Kit

MatrikonOPC UA Embedded Server SDK Evaluation Kit allows you to evaluate the SDK quickly and easily without the need to purchase or install any development tools on your PC. The Evaluation Kit is based on an NXP LPC4088 ARM Cortex-M4F development board from Embedded Artists.

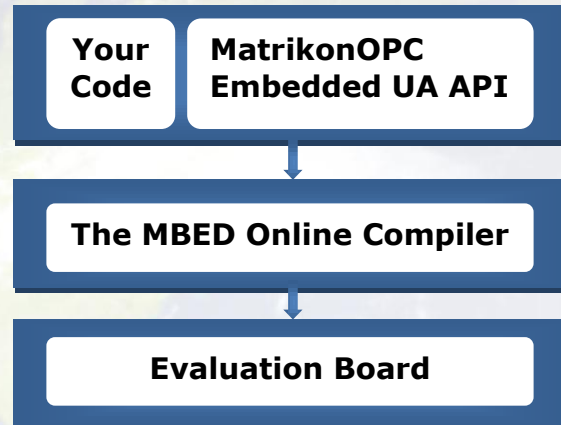


Figure 1 - UA Embedded Server SDK Evaluation Kit Workflow

PACKING LIST:

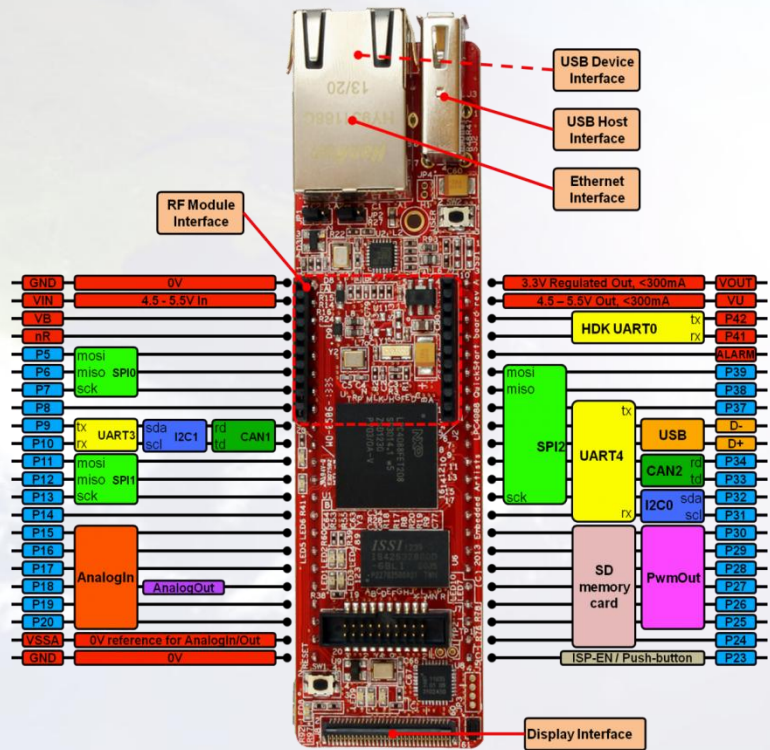
- LPC4088 Quick Start development board
- USB Flash Drive containing the SDK binary, example software and documentation
- USB cable
- Ethernet cable
- OPC UA Embedded Server SDK Evaluation Kit Quick Start Guide
- End User License Agreement – OPC UA Embedded Server Development Kit

LICENSING:

- The software may only be used for developing prototype OPC UA enabled products.
- Commercial distribution of products incorporating the software requires a separate written distribution agreement.

LPC4088 QUICKSTART BOARD SPECIFICATION:

- Processor: NXP's Cortex-M4 LPC4088 microcontroller in BGA package, running at up to 120 MHz
- Program Flash: 8 MB QSPI + 512 KB on-chip
- Data Memory: 32 MB SDRAM (x32 bit databus for high bandwidth access) + 96 KB on-chip SRAM + 4 KB on-chip E2PROM
- Clock Crystals: 12.000 MHz main and 32.768 kHz RTC crystals
- Interfaces/Connectors:
 - 2x22 pin edge pins
 - 10/100Mbps Ethernet (RJ45)
 - USB-A (USB Host interface)
 - USB-micro B (USB Device interface)
 - USB-micro B (mbed HDG debug interface)
 - 20 position SDW/Trace connector (ARM standard debug connector)
 - 61 pos 0.3 mm pitch FPC connector for display expansion
 - 20 pos XBee compatible connector for RF module add-on
- Dimensions: 101 x 28 mm (104 x 28 mm with connectors)
- Power:
 - 4.5 - 5.5V input on pin 2, or
 - via micro-B USB HDK connector, or
 - via trace connector (+5V)



The MatrikonOPC Advantage

MatrikonOPC, the leader in OPC technology provides significant value to the manufacturing space. Now, MatrikonOPC extends data connectivity offering from the desktop down to the micro-controller level enabled by OPC UA. OPC UA Embedded technology complements the MatrikonOPC existing portfolio, and positions MatrikonOPC at the fore front of the emerging device to enterprise open data connectivity market.



hkaco.com



关注我们



需要详细信息? 请通过sales@hkaco.com联系我们 | 电话: 400-999-3848

办事处: 广州 | 北京 | 上海 | 深圳 | 西安 | 武汉 | 成都 | 沈阳 | 香港 | 台湾 | 美国