

Accelerometer 3ACCF

The 3ACCF sensor measures acceleration in the X, Y and Z axes. The sensors are contained in a housing that is linked to the MSR 12 via cable. The sensor housing can best be fixed using the four mounting holes.



3ACCF-RS232 2g

Sensor type:	ADXL202AE
Measured parameters:	Acceleration (3 axis)
Measurement range:	±2 G
Resolution:	0.001 G
Accuracy:	0.02 G (25 °C)
Item number:	B10137

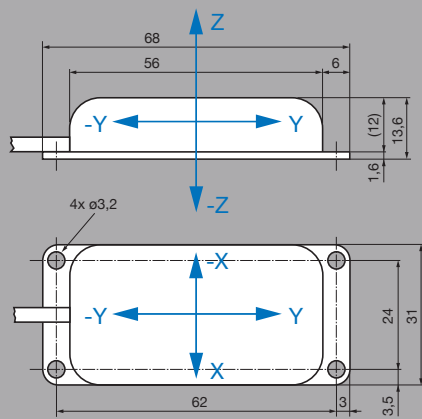
3ACCF-RS232 10g

Sensor type:	ADXL210AE
Measured parameters:	Acceleration (3 axis)
Measurement range:	±10 G
Resolution:	0.01 G
Accuracy:	0.1 G (25 °C)
Item number:	B10132

General

Medium:	Air
Dimensions:	See drawing
Cable length:	2 m
Weight exc. cable:	Approx. 15 G
Electrical connections:	Plug for MSR 12 RS232 socket
Power supply:	Via MSR 12
Material:	
Sensor housing:	Epoxy, ABS
Operating conditions:	
Temperature:	-20 °C to +70 °C
Humidity:	0-95 % relative humidity, non-condensing
Storage conditions:	
Temperature:	-20 °C to +70 °C
Humidity:	0-95 % relative humidity, non-condensing
Special feature:	Calibration coefficients stored in EEPROM

Required additional module: 3ACCF (Item number B10103)



MSR Electronics GmbH
Oberwilerstrasse 16

中国代理商：
宏科汽车技术研究中心
广州市五山华南理工大学国家科技园
2号楼 504-505室 邮编：510640
电话：020-38743030; 38743032;
020-38743233
传真：020-38743233
sales@hkaco.com
www.hkaco.com

Distributor:

